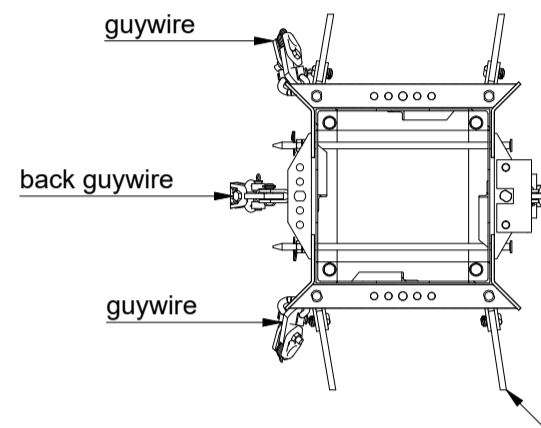
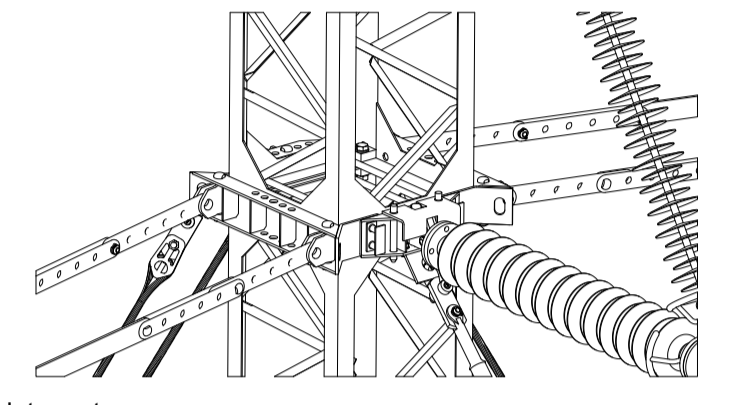


Note: top guywires (7,8 & 9) are 55m long (GY-24)

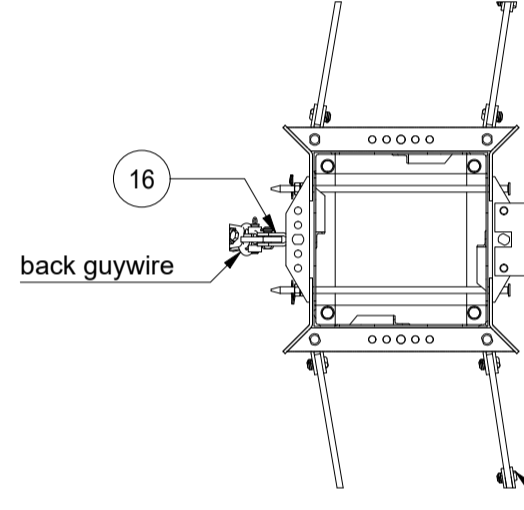
Topview A (1 : 25)



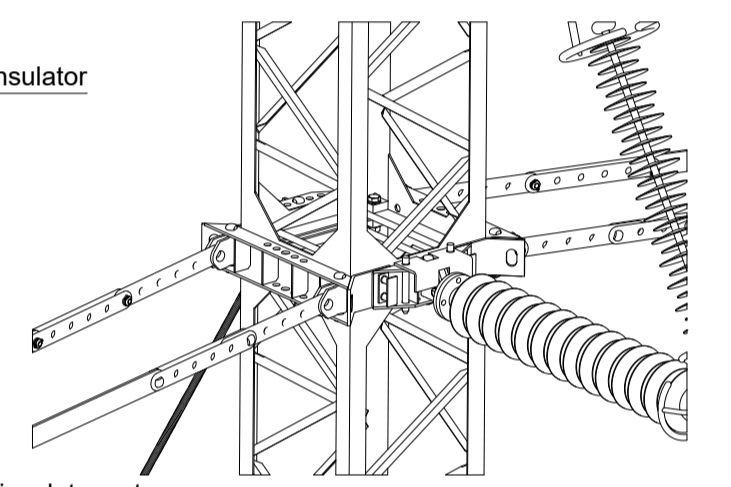
A (1 : 25)



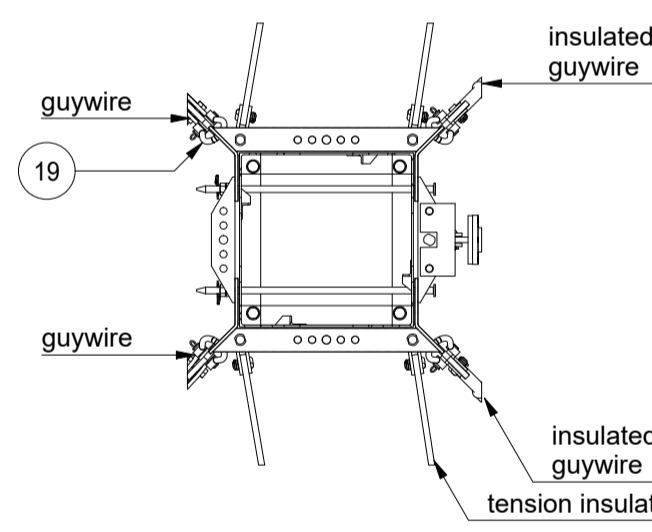
Topview B (1 : 25)



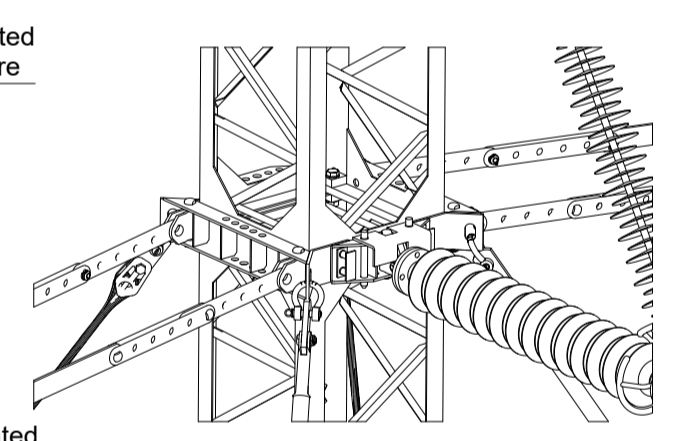
B (1 : 25)



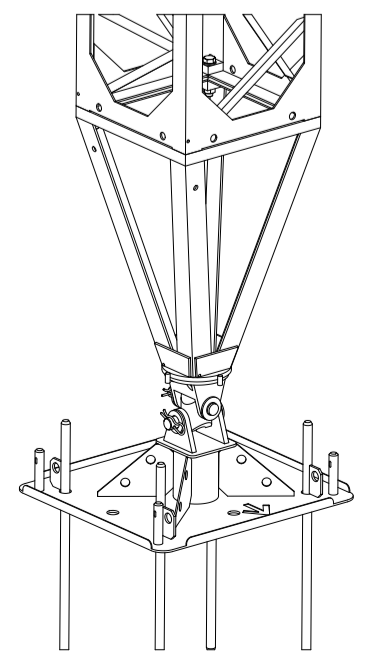
Topview C (1 : 25)



C (1 : 25)



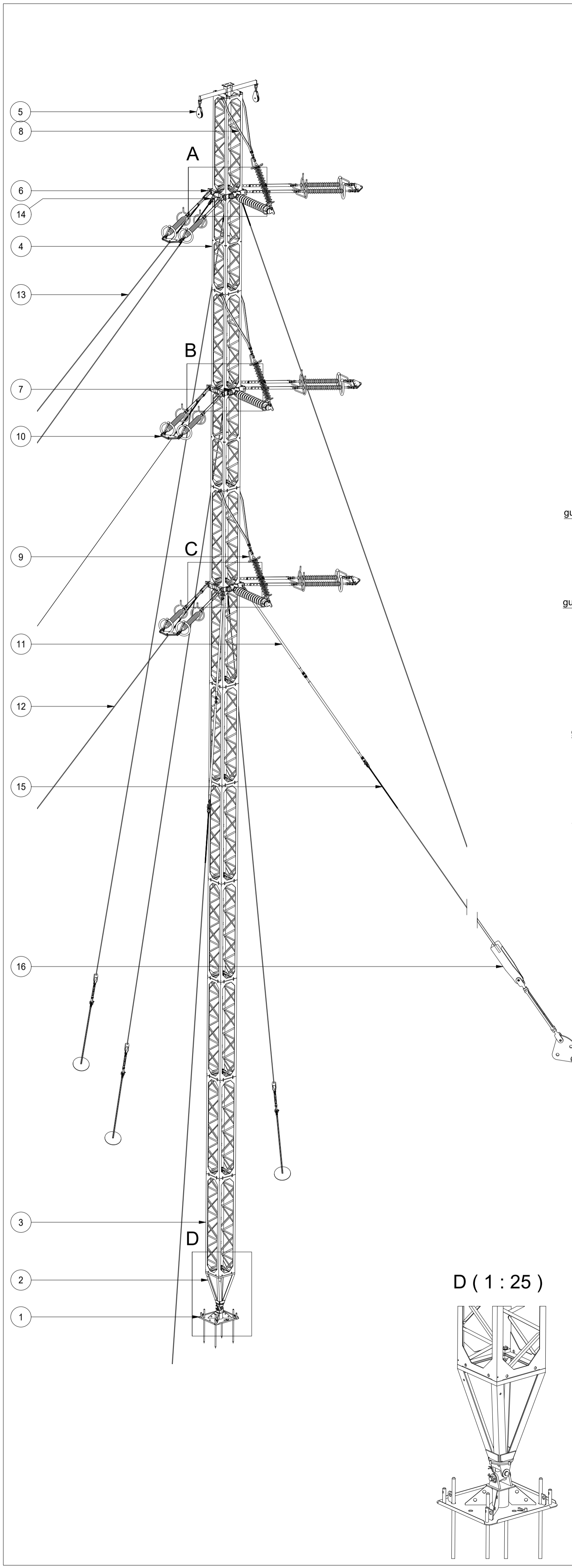
D (1 : 25)



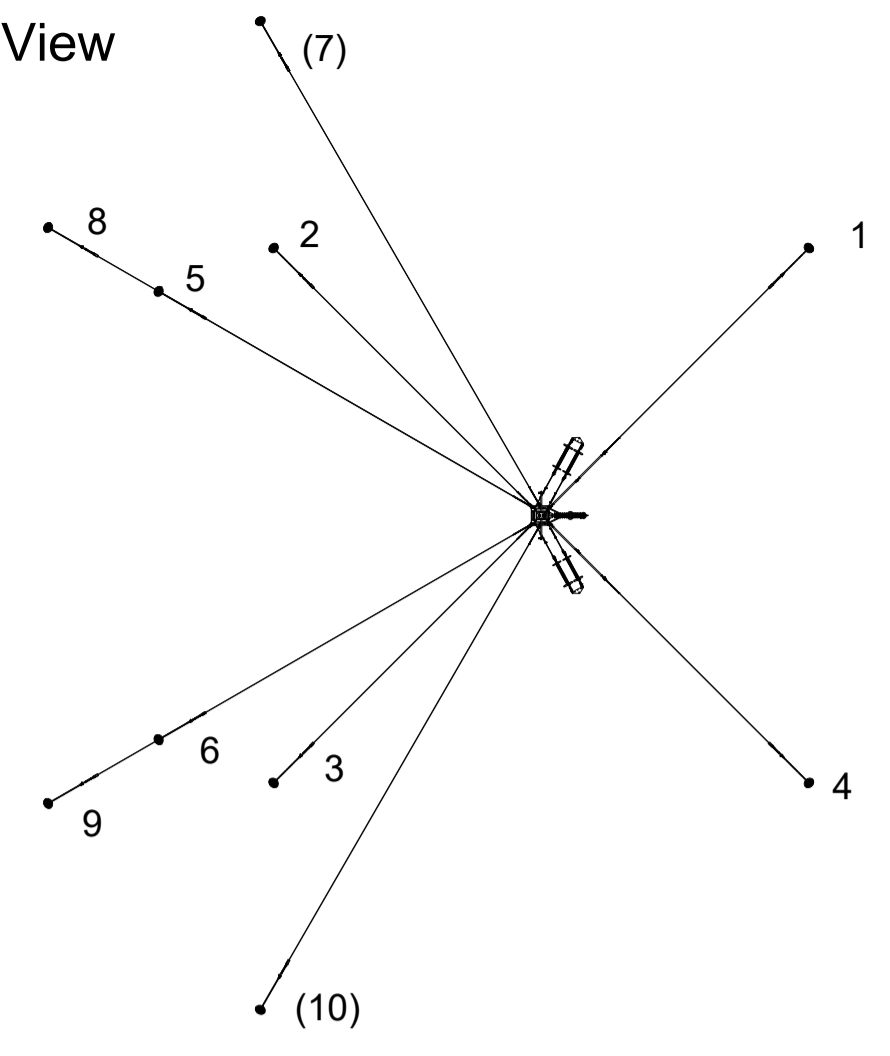
19	GY-9C	4	Guy Wire Big Grip Dead-end with shackle, complete	
18	GY-1C	9	Guy wire anchor connection, complete (excl. anchor)	
17	GY-7C	5	Guy Wire Big Grip Dead-end, complete	
16	GY-5C	2	Guy wire hinge connection, complete	
15	GY-23	6	45m Guy wire (steel)	
14	GY-24	3	55m Guy wire (steel)	
13	IS-GS2	2	Guy strain insulator double, complete	
12	IS-12C	6	Double Tension Insulator String 110kV modular	
11	IS-04C	3	V-Brace 110kV modular	
10	IS-GS4	1	Guy strain insulator quad, complete	
9	ST-45C	3	Tension insulator extension Small, complete	
8	ST-14C	1	Wind guy plate, complete	
7	ST-07	3	Lock for linepost insulators	Remove lock after raising tower
6	ST-7C	3	Attachment frames AT, complete	
5	ST-4C	1	Tower top, complete	
4	ST-47	2	Standard section with middle attachment	
3	ST-2C	10	Standard section, complete	
2	ST-1C	1	Bottom section, complete	
1	FD-2C	1	Foundation tower, complete	
Item	Drawingnr	Qty	Description	remark

Rev.	Date	Description
4.0	13-2-2024	corrected amount of standard sections

		Projectname: LitGrid Emergency Restoration System (ERS)	
		Drawing no.: AT1 (110kV)	
Design state: Released	Scale: 1 : 75	Description: Tower Assembly AT1 (110kV)	
Drawn by: PUG 5-10-2023	Units: mm		
Checked by: PKO 9-1-2023	Project no: 10449122		
Approved by: EPE 9-1-2023	Company: LitGrid	Revision: 4.0	
			Format: A2

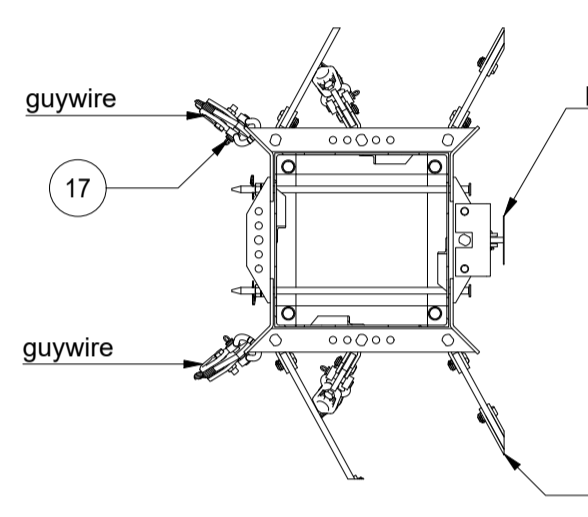


Top View

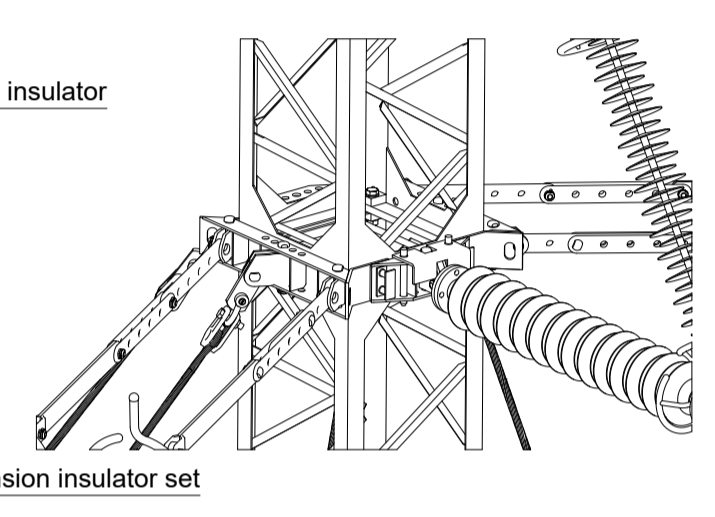


Note: top guywires (7,8,9 & 10) are 55m long (GY-24)

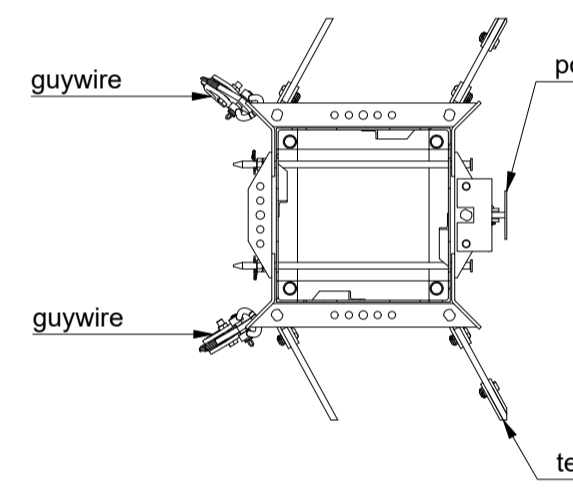
Topview A (1:25)



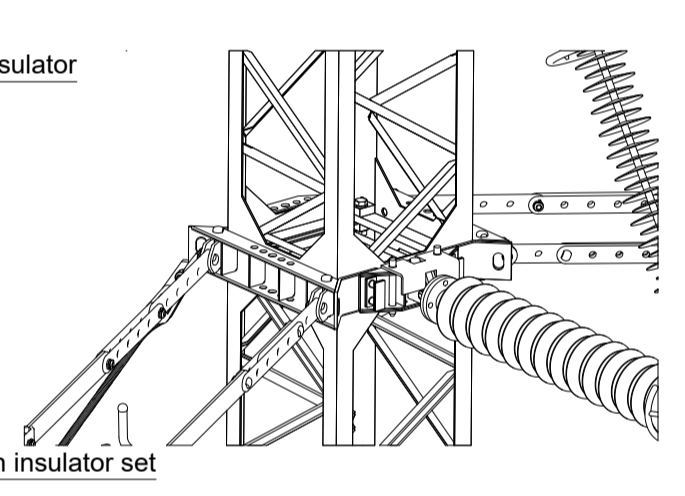
A (1 : 25)



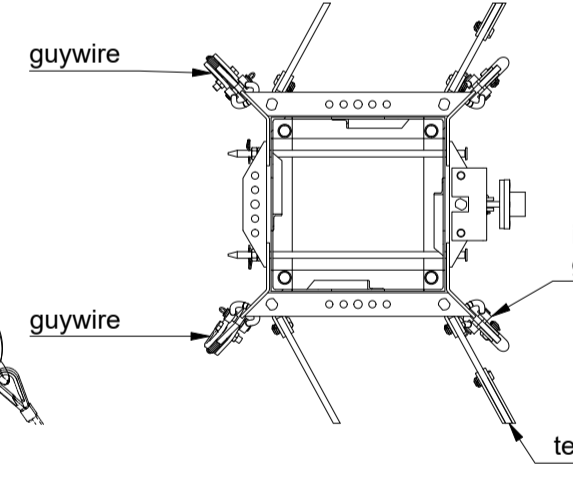
Topview B (1:25)



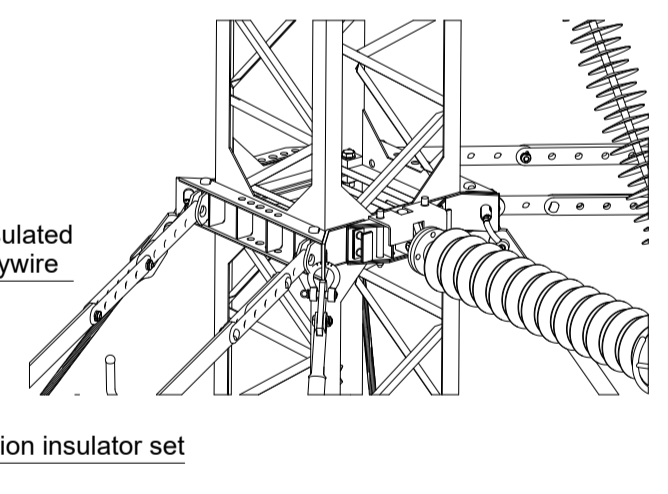
B (1 : 25)



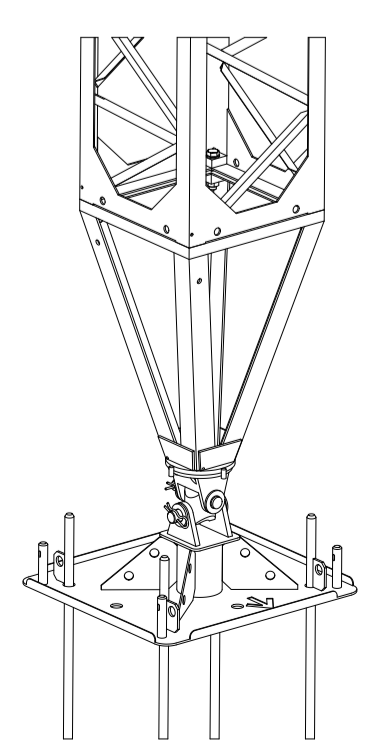
Topview C (1:25)



C (1 : 25)



D (1 : 25)

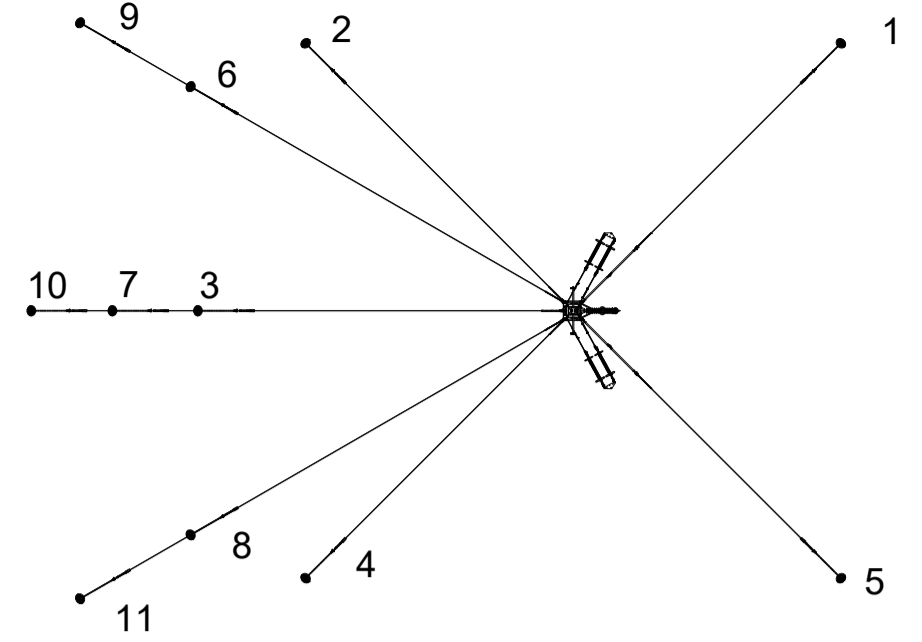


17	GY-9C	6	Guy Wire Big Grip Dead-end with shackle, complete	
16	GY-1C	10	Guy wire anchor connection, complete (excl. anchor)	
15	GY-7C	4	Guy Wire Big Grip Dead-end, complete	
14	GY-5C	2	Guy wire hinge connection, complete	
13	GY-24	4	55m Guy wire (steel)	
12	GY-23	6	45m Guy wire (steel)	
11	IS-GS2	2	Guy strain insulator double, complete	
10	IS-12C	6	Double Tension Insulator String 110kV modular	
9	IS-04C	3	V-Brace 110kV modular	
8	ST-45C	3	Tension insulator extension Small, complete	
7	ST-07	3	Lock for linepost insulators	Remove lock after raising tower
6	ST-7C	3	Attachment frames AT, complete	
5	ST-4C	1	Tower top, complete	
4	ST-47	2	Standard section with middle attachment	
3	ST-2C	10	Standard section, complete	
2	ST-1C	1	Bottom section, complete	
1	FD-2C	1	Foundation tower, complete	
Item	Drawingnr	Qty	Description	remark

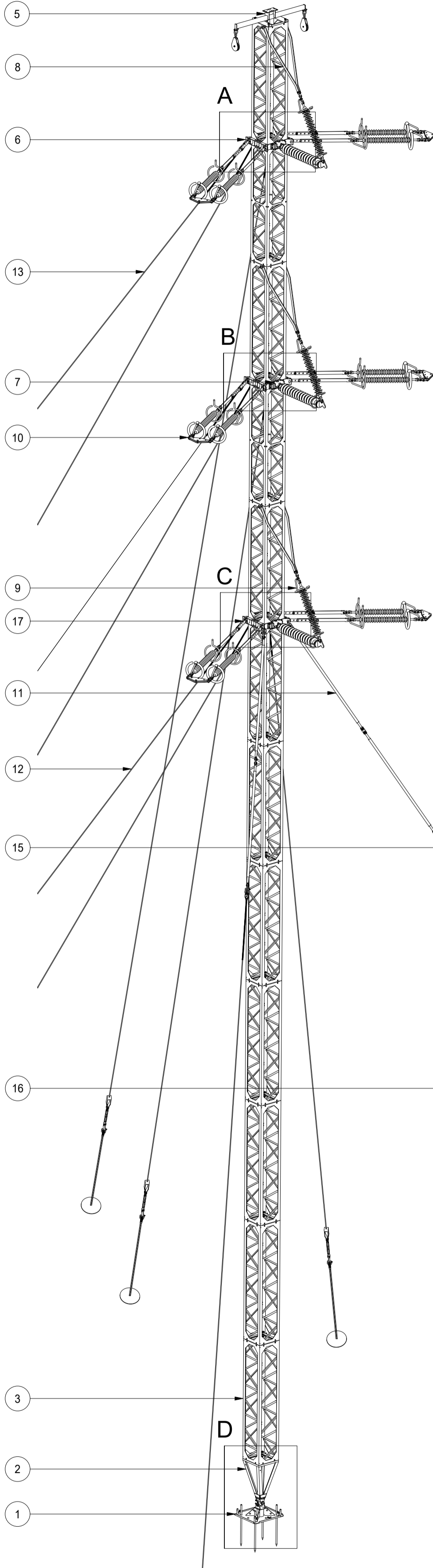
Rev.	Date	Description
4.0	13-2-2024	corrected amount of standard sections

		Projectname: LitGrid Emergency Restoration System (ERS)
		Drawing no.: AT2 (110kV)
Design state: Released	Scale: 1 : 75	Description: Tower Assembly AT2 (110kV)
Drawn by: PUG 5-10-2023	Units: mm	Revision: 4.0
Checked by: PKO 9-1-2023	Project no: 10449122	Format: A2
Approved by: EPE 9-1-2023	Company: LitGrid	

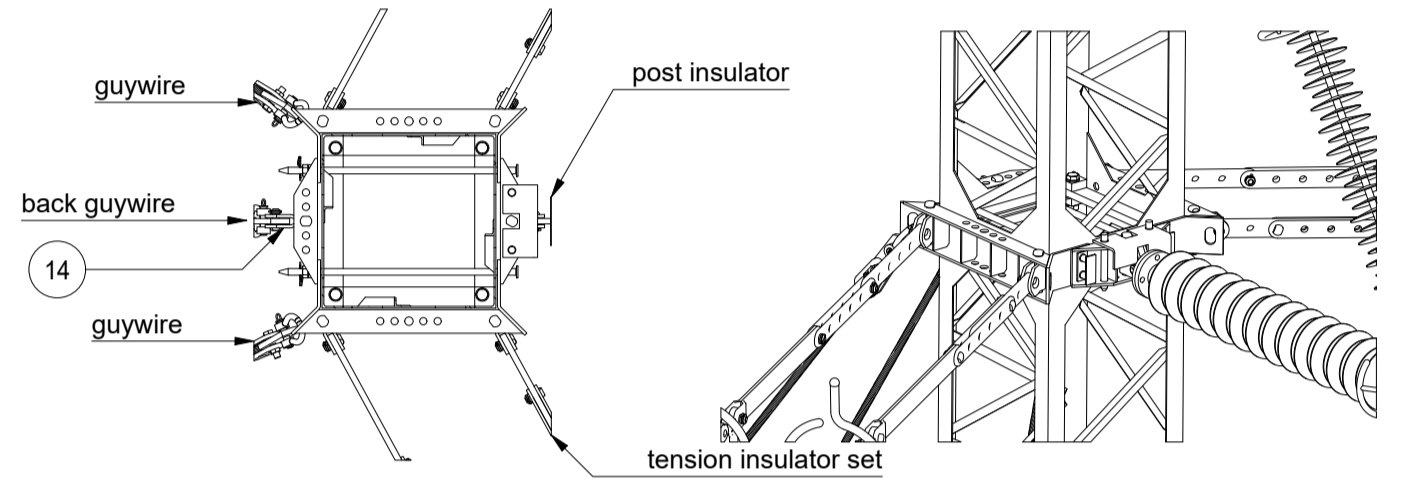
Top View



Note: top guywires (9,10 & 11) are 55m long (GY-24)

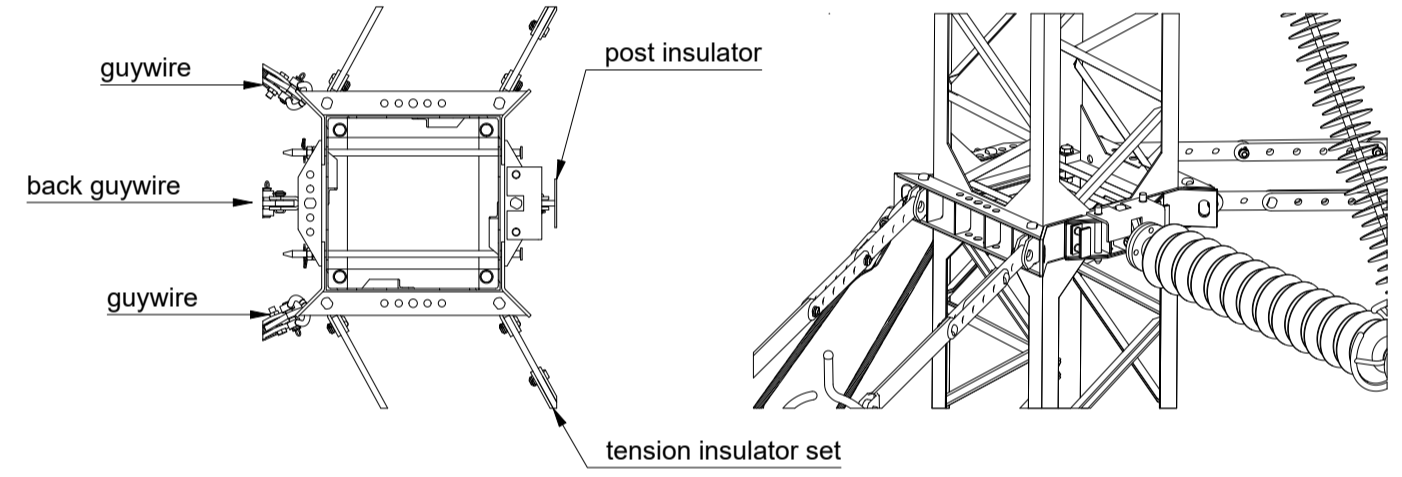


Topview A (1:25)



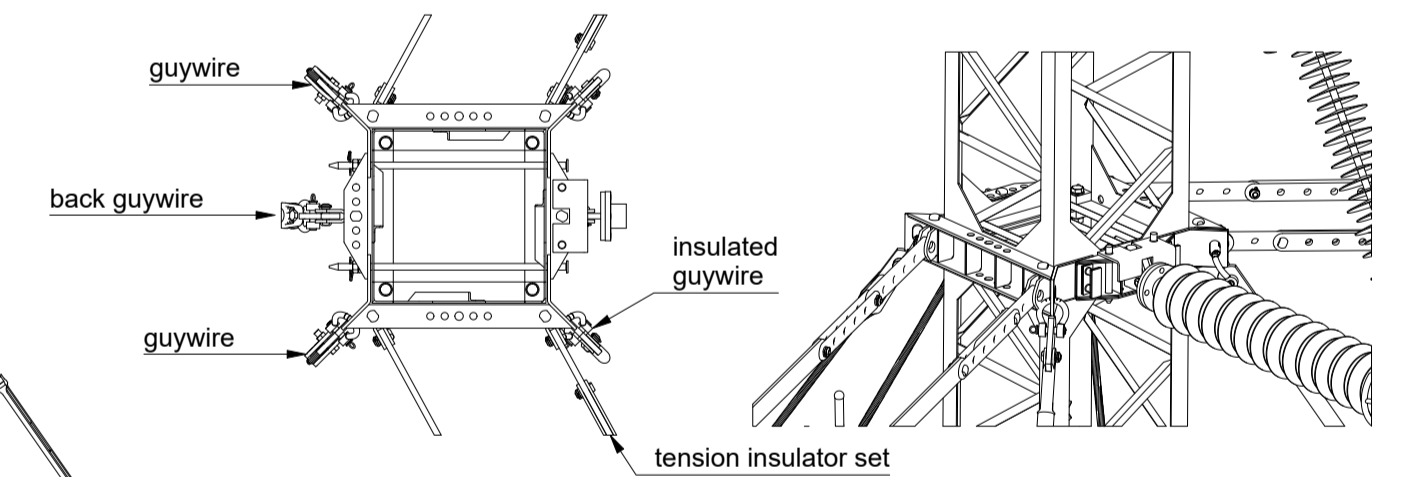
A (1 : 25)

Topview B (1:25)



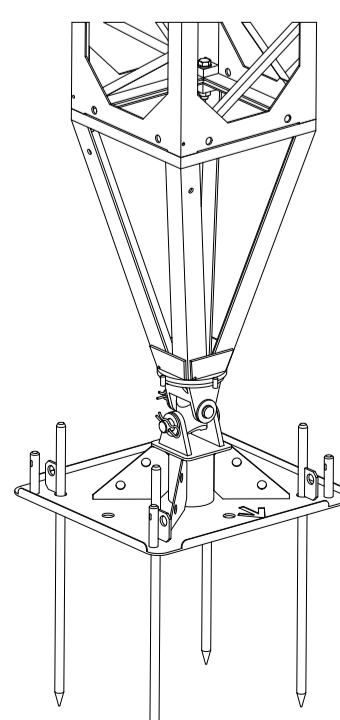
B (1 : 25)

Topview C (1:25)



C (1 : 25)

D (1 : 25)



17	GY-9C	6	Guy Wire Big Grip Dead-end with shackle, complete	
16	GY-1C	11	Guy wire anchor connection, complete (excl. anchor)	
15	GY-7C	5	Guy Wire Big Grip Dead-end, complete	
14	GY-5C	3	Guy wire hinge connection, complete	
13	GY-24	3	55m Guy wire (steel)	
12	GY-23	8	45m Guy wire (steel)	
11	IS-GS2	2	Guy strain insulator double, complete	
10	IS-12C	6	Double Tension Insulator String 110kV modular	
9	IS-04C	3	V-Brace 110kV modular	
8	ST-45C	3	Tension insulator extension Small, complete	
7	ST-07	3	Lock for linepost insulators	Remove lock after raising tower
6	ST-7C	3	Attachment frames AT, complete	
5	ST-4C	1	Tower top, complete	
4	ST-47	2	Standard section with middle attachment	
3	ST-2C	10	Standard section, complete	
2	ST-1C	1	Bottom section, complete	
1	FD-2C	1	Foundation tower, complete	

Rev.	Date	Description	Revision history	
4.0	13-2-2024	corrected amount of standard sections		
Projectname: LitGrid Emergency Restoration System (ERS)			Drawing no.: AT3 (110kV)	
Design state: Released			Description: Tower Assembly AT3 (110kV)	
Drawn by: PUG 5-10-2023			Scale: 1 : 75	
Checked by: PKO 26-9-2023			Units: mm	
Approved by: EPE 26-9-2023			Project no: 10449122	
			Company: LitGrid	
				Revision: 4.0
				Format: A2